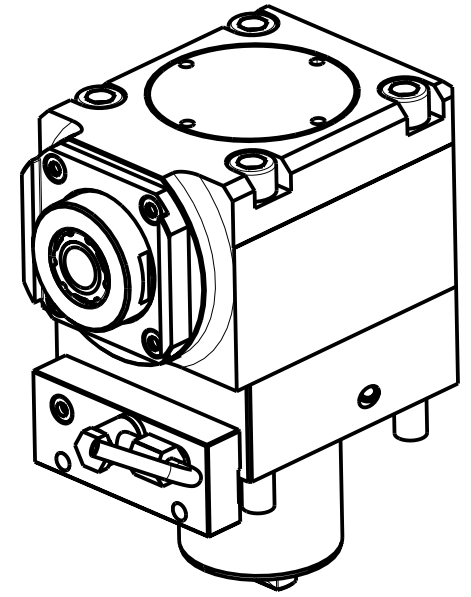


**ATTENZIONE - ATTENTION - ACHTUNG**

- Per lo smontaggio degli utensili utilizzare sempre la chiave di contrasto come indicato nel manuale d'uso.
- For disassembly of the tools use always the contrast key as mentioned in the user instructions.
- Fuer das Abmontieren der Werkzeuge immer den Gegenschlüssel benutzen wie in der Bedienungsanleitung erwaeht.



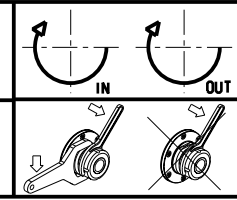
- Chiave inclusa
- Key included
- Schlüssel inbegriffen

| Cod. MT    | Mandrino Spindle Spindel | I   | RPM   | Coppia Max Max Torque Max Drehmoment | Reversibile lato mandrino/contromandrino Reversible sub/main spindle side Umkehrbare Spindel-seite/ Gegenspindel-seite | Lubrificazione int. Coolant through Innenkuehlung | Lubrificazione est. Ext. coolant Aussenkuehlung | B  | CHIAVI NON INCLUSE<br>Keys not included<br>Schlüssel nicht einbegriffen |            |            |
|------------|--------------------------|-----|-------|--------------------------------------|--|---|---|----|---|------------|------------|
|            |                          |     |       |                                      |  |   |   |    |   |            |            |
| OKU0470325 | ERA25                    | 1:2 | 12000 | 50Nm                                 | X  |   | X   | 64 | CHUB27  | CHTAER25ZC | OKU0650004 |
| OKU0470425 | ERA25                    | 1:2 | 12000 | 50Nm                                 | X  | P=70bar   | X   | 74 | CHUB27  | CHTAER25ZC | OKU0650004 |

**OKUMA**  
**MOD: LB4000EX(I) - LB4000EX(II) - LU4000EX**

MODULO MOTORIZZATO ASSIALE MOLTIPLICATO I=1:2  
 Axial geared-up I=1:2 driven tool  
 Axial angetriebenes Werkzeug uebersetzt I=1:2

Subject to change without notice.



**M.T. srl**  
 Via Casino Albini 480  
 Tel. 0541/956034-957884  
 Fax 0541/956341  
 47842 S. GIOVANNI IN M. (RN)  
 e-mail: mtma@mtmarchetti.com  
 http://www.mtmarchetti.com



PAGINA OKU200-5-10