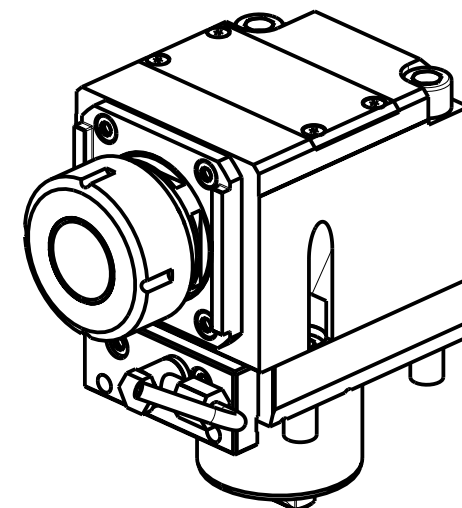


ATTENZIONE - ATTENTION - ACHTUNG

- Per lo smontaggio degli utensili utilizzare sempre la chiave di contrasto come indicato nel manuale d'uso.
- For disassembly of the tools use always the contrast key as mentioned in the user instructions.
- Fuer das Abmontieren der Werkzeuge immer den Gegenschlüssel benutzen wie in der Bedienungsanleitung erwaeht.



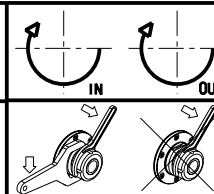
| Cod. MT | Mandrino Spindle Spindel | I | RPM | Coppia Max Max Torque Max Drehmoment | Reversibile lato mandrino/contromandrino Reversible sub/main spindle side Umkehrbare Spindel-seite/ Gegenspindel-seite | Lubrificazione int. Coolant through Innenkuehlung | Lubrificazione est. Ext. coolant Aussenkuehlung | A | B | CHIAVI NON INCLUSE Keys not included Schlüssel nicht einbegriffen | |
|------------|--------------------------|-----|------|--------------------------------------|--|---|---|-------|----|---|------------|
| OKU0320132 | ER32 | 2:1 | 3000 | 90Nm | X | - | X | 98.7 | 53 | CHSTER32 | OKU0650004 |
| OKU0320232 | ER32 | 2:1 | 3000 | 90Nm | X | P=70bar | X | 98.7 | 64 | CHSTER32 | OKU0650004 |
| OKU0320140 | ER40 | 2:1 | 3000 | 90Nm | X | - | X | 101.7 | 53 | CHSTER40 | OKU0650004 |
| OKU0320240 | ER40 | 2:1 | 3000 | 90Nm | X | P=70bar | X | 101.7 | 64 | CHSTER40 | OKU0650004 |

- Chiave inclusa
- Key included
- Schlüssel inbegriffen

OKUMA
 MOD: LB2000-2500-3000EX(I) M/MY/MW/MYW - LB2000-2500-3000EX(II) M/MY/MW/MYW - LU3000EX M/MY/MW
 GENOS L300MW/MYW - GENOS L3000e M/MY

MODULO MOTORIZZATO ASSIALE RIDOTTO I=2:1
 Axial geared-down I=2:1 driven tool
 Axial angetriebenes Werkzeug untersetzt I=2:1

Subject to change without notice.



M.T. srl
 Via Casino Albini 480
 Tel. 0541/956034-957884
 Fax 0541/956341
 47842 S. GIOVANNI IN M. (RN)
 e-mail: mtma@mtmarchetti.com
 http://www.mtmarchetti.com



PAGINA OKU190-4-10