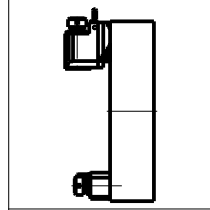
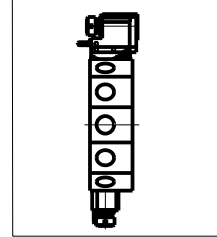


TORRETTE ASSIALI
AXIAL TURRETS
AXIAL REVOLVER

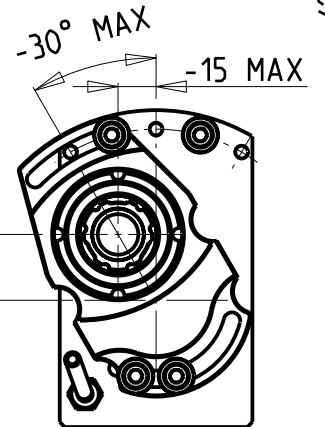
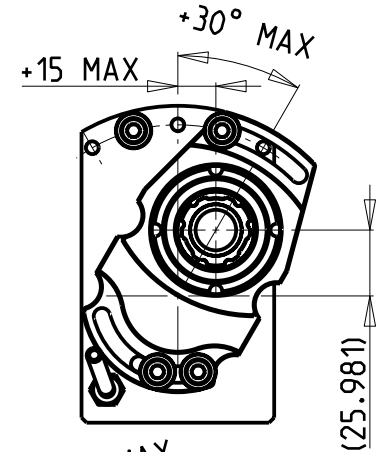
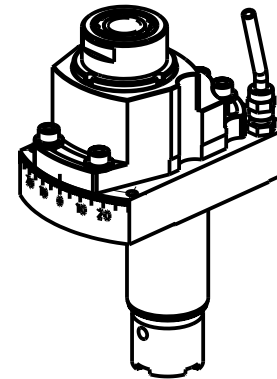
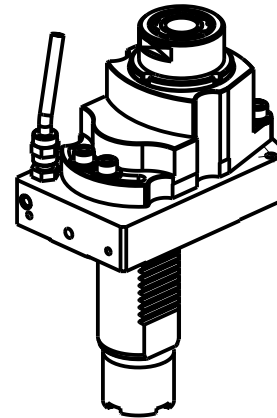


TORRETTE RADIALI
RADIAL TURRETS
RADIAL REVOLVER



ATTENZIONE - ATTENTION - ACHTUNG

- Per lo smontaggio degli utensili utilizzare sempre la chiave di contrasto come indicato nel manuale d'uso.
- For disassembly of the tools use always the contrast key as mentioned in the user instructions.
- Fuer das Abmontieren der Werkzeuge immer den Gegenschlüssel benutzen wie in der Bedienungsanleitung erwäehnt.



• Chiave inclusa

• Key included

• Schluessel inbegriffen

CHIAVI NON INCLUSE
Keys not included
Schluessel nicht einbegriffen

Cod. MT	Mandrino Spindle Spindel	I	RPM	Coppia Max Max Torque Max Drehmoment	Lubrificazione est. Ext. coolant Aussehenkuehlung	CHIAVI NON INCLUSE Keys not included Schluessel nicht einbegriffen		
OKU1600325	ERA25	1:1	4000	40Nm	X	CHUB36	CHUB27	CHTAER25ZC *

OKUMA

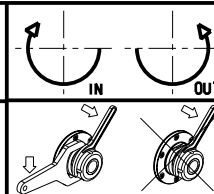
MOD: LB25/400 - LR25 - LU25M - LU400M

MODULO MOTORIZZATO ASSIALE DISASSATO 30mm ORIENTABILE ±30° VDI40

Axial ±30° adjustable angle driven tool re-directed by 30mm VDI40

Axial angetriebenes Werkzeug schwenkbar ±30° achsversetzt um 30mm VDI40

Subject to change without notice.



M.T. srl

Via Casino Albini 480
 Tel. 0541/956034-957884
 Fax 0541/956341

47842 S. GIOVANNI IN M. (RN)
 e-mail: mtma@mtmarchetti.com
 http://www.mtmarchetti.com



PAGINA OKU135-3-00