

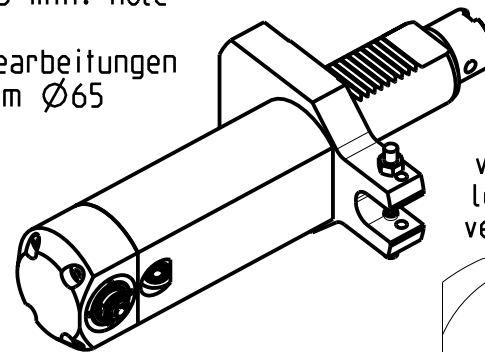
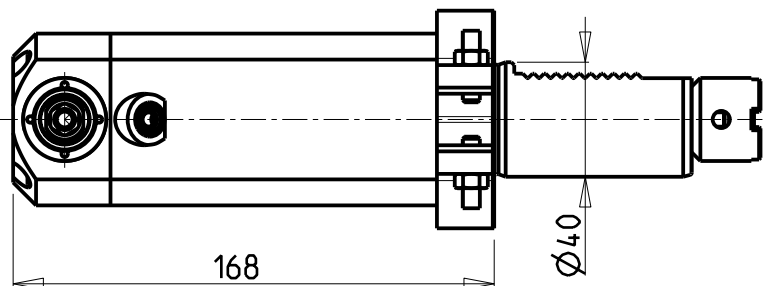
PER LAVORAZIONI INTERNE
SU FORI Ø65 MINIMO

For machining internal
holes with Ø65 min. hole

Fuer interne Bearbeitungen
am loch minimum Ø65

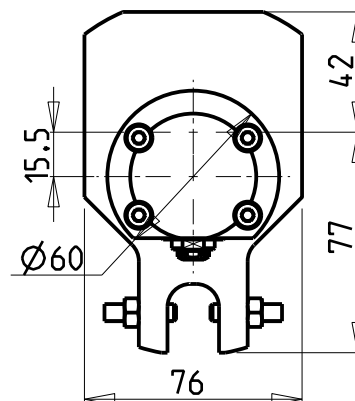
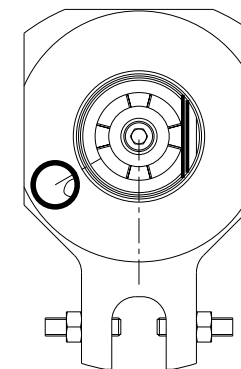
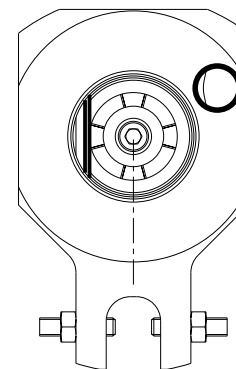
ATTENZIONE - ATTENTION - ACHTUNG

- Per lo smontaggio degli utensili utilizzare sempre la chiave di contrasto come indicato nel manuale d'uso.
- For disassembly of the tools use always the contrast key as mentioned in the user instructions.
- Fuer das Abmontieren der Werkzeuge immer den Gegenschlüssel benutzen wie in der Bedienungsanleitung erwäehnt.

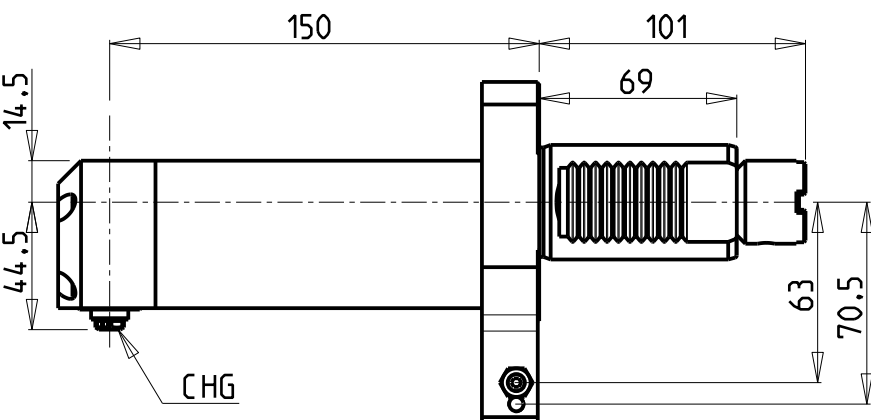
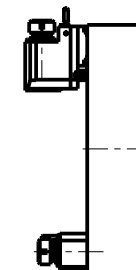


versione sx
left version
version links

versione dx
right version
version rechts



**TORRETTE ASSIALI
AXIAL TURRETS
AXIAL REVOLVER**



Cod. MT		Mandrino Spindle Spindel	I	RPM	Coppia Max Max Torque Max Drehmoment	Lubrificazione est. Ext. coolant Aussenkuehlung	CHIAVI INCLUSE Keys included Schlüssel einbegriffen	
versione sx left version version links	versione dx right version version rechts						CHUB13_SP3	CHCHG10
1270KU_R10_40B01	1270KU_R10_40B11	CHG	1:1	4000	10Nm	X	CHUB13_SP3	CHCHG10

OKUMA

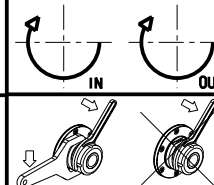
MOD: LB25/400 - LR25 - LU25M - LU400M

MODULO MOTORIZZATO RADIALE VDI40 H=150mm

Radial driven tool VDI40 H=150mm

Radial angetriebenes Werkzeug VDI40 H=150mm

Subject to change without notice.



M.T. srl

Via Casino Albini 480
Tel. 0541/956034-957884
Fax 0541/956341
47842 S. GIOVANNI IN M. (RN)
e-mail: mtma@mtmarchetti.com
http://www.mtmarchetti.com



PAGINA OKU125-3-00