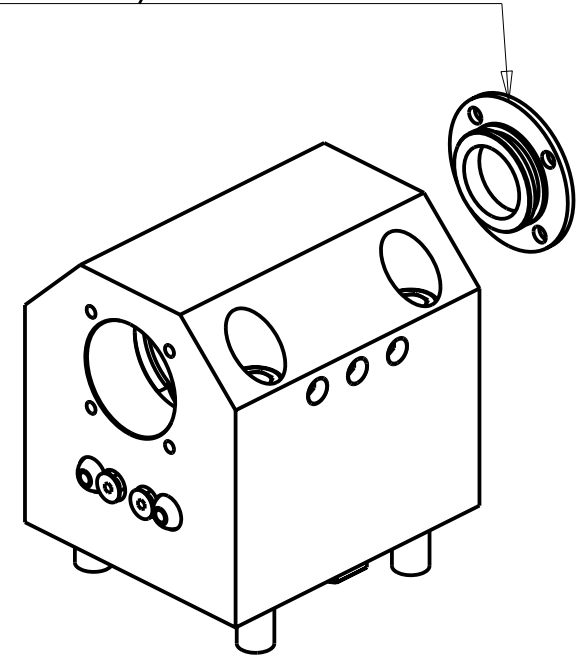


KIT ADDUZIONE INTERNA (OPZIONALE)
 KIT FOR INTERNAL COOLANT (OPTIONAL)
 KIT FUER INTERNE KUEHLMITTELZUFUHR (OPTIONAL)

Ø25 cod. KIT1000006
 Ø40 cod. KIT1000003



PER BOCCOLE DI RIDUZIONE VEDI PAG. TBL150-1-00
 FOR REDUCING BUSHINGS SEE PAGE TBL150-1-00
 FÜR REDUZIERBUCHSE SIEHE SEITE TBL150-1-00

Cod. MT	N°Utensili N°Tools N°Werkzeuge	Reversibile lato mandrino/contromandrino Reversible sub/main spindle side Umkehrbare Spindel-seite/ Gegenspindel-seite	Lubrificazione int. opzionale Coolant through optional Innenkuehlung Optional	Lubrificazione est. Ext. coolant Aussenkuehlung	Misure Dimensions Masse	D
DW 02882500	1	X	X	X	mm	25
DW 02884000	1	X	X	X	mm	40

HYUNDAI-WIA (KIA)

MOD: SKT250M/LM/MS - SKT300M/LM/MS - L300M/LM/MS/LMS - L2000/2100/2600/3000Y/SY - HD2600/3100 (BMT65)

PORTAUTENSILE ASSIALE PER BARENO Ø25mm/Ø40mm H=72mm

Axial single boring bar holder Ø25mm/Ø40mm H=72mm

Axial Bohrhälter Ø25mm/Ø40mm H=72mm

Subject to change without notice.

M.T. srl

Via Casino Albini 480
 Tel. 0541/956034-957884
 Fax 0541/956341
 47842 S. GIOVANNI IN M. (RN)
 e-mail: mtma@mtmarchetti.com
 http://www.mtmarchetti.com



PAGINA KIA630-3-10