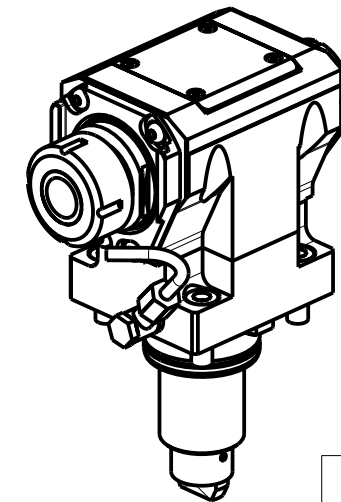
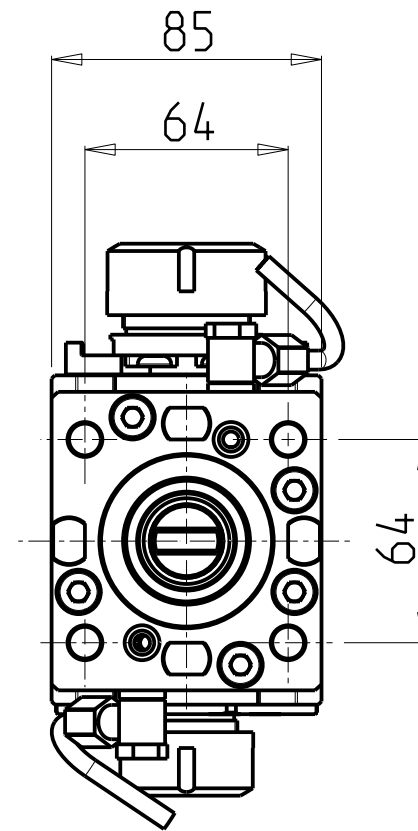
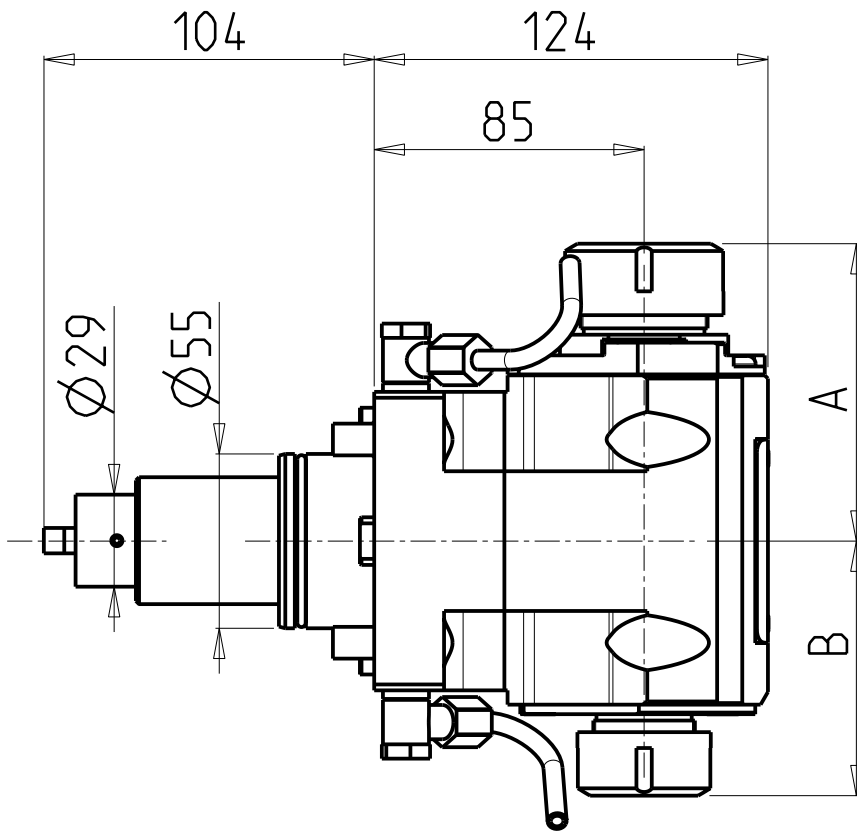


**ATTENZIONE - ATTENTION - ACHTUNG**

- Per lo smontaggio degli utensili utilizzare sempre la chiave di contrasto come indicato nel manuale d'uso.
- For disassembly of the tools use always the contrast key as mentioned in the user instructions.
- Fuer das Abmontieren der Werkzeuge immer den Gegenschlüssel benutzen wie in der Bedienungsanleitung erwaeht.



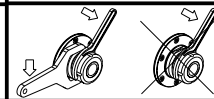
- Chiave inclusa
- Key included
- Schlüssel inbegriffen

CHIAVI NON INCLUSE  
Keys not included  
Schlüssel nicht einbegriffen

| Cod. MT     | Mandrino Spindle Spindel | I   | RPM  | Coppia Max Max Torque Max Drehmoment | Reversibile lato mandrino/contromandrino Reversible sub/main spindle side Umkehrbare Spindel-seite/ Gegenspindel-seite | Lubrificazione est. Ext. coolant Ausseukuehlung | A     | B     |          |          |            |            |            |
|-------------|--------------------------|-----|------|--------------------------------------|--|---|-------|-------|----------|----------|------------|------------|------------|
| DW 01723225 | ER32+ER25                | 1:1 | 6000 | 50Nm                                 | X  | X   | 93.66 | 80.16 | CHSTER32 | CHSTER25 | OKU0650004 | -          | -          |
| DW 01722520 | ERA25+ERA20              | 1:1 | 6000 | 50Nm                                 | X  | X   | 65    | 55.5  | CHUB22   | CHUB27   | OKU0650004 | CHTAER20ZC | CHTAER25ZC |

HYUNDAI-W IA (KIA)  
MOD: SKT160TTMS/TTSY - LM1600TTMS/TTSY - SKT180TTMS/TTSY - LM1800TTMS/TTSY - L160/230LMSA - SE2600M  
HD2200-2600M/Y/SY (BMT55)

MODULO MOTORIZZATO ASSIALE BISPORGENTE H=85mm  
Axial opposite face twin driven tool H=85mm  
Axial angetriebenes Werkzeug halb vorspringend H=85mm



**M.T. srl**  
Via Casino Albini 480  
Tel. 0541/956034-957884  
Fax 0541/956341  
47842 S. GIOVANNI IN M. (RN)  
e-mail: mtma@mtmarchetti.com  
http://www.mtmarchetti.com



PAGINA KIA240-2-11

Subject to change without notice.

09/2023