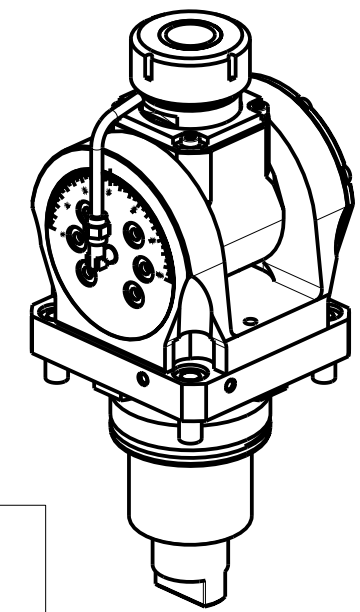


ATTENZIONE - ATTENTION - ACHTUNG

- Per lo smontaggio degli utensili utilizzare sempre la chiave di contrasto come indicato nel manuale d'uso.
- For disassembly of the tools use always the contrast key as mentioned in the user instructions.
- Fuer das Abmontieren der Werkzeuge immer den Gegenschlüssel benutzen wie in der Bedienungsanleitung erwaeht.

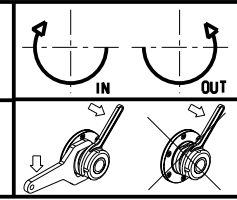


| Cod. MT | Mandrino Spindle Spindel | I | RPM | Coppia Max Max Torque Max Drehmoment | Lubrificazione int. Coolant through Innenkuehlung | Lubrificazione est. Ext. coolant Aussenkuehlung | A | CHIAVI INCLUSE Keys included Schluesssel inbegriffen | | | | |
|-------------|--------------------------|-----|------|--------------------------------------|---|---|--------|--|--------|------------|---------|---------|
| DW 00830332 | ERA32 | 1:1 | 3000 | 50Nm | | X | 81 | CHUB30 | CHUB46 | CHTAER32ZC | CHESL10 | CHESL06 |
| DW 00830432 | ERA32 | 1:1 | 3000 | 50Nm | P=70bar | X | 81 | CHUB30 | CHUB46 | CHTAER32ZC | CHESL10 | CHESL06 |
| DW 00830140 | ER40 | 1:1 | 3000 | 50Nm | | X | 108.66 | - | CHUB46 | CHSTER40 | CHESL10 | CHESL06 |
| DW 00830240 | ER40 | 1:1 | 3000 | 50Nm | P=70bar | X | 108.66 | - | CHUB46 | CHSTER40 | CHESL10 | CHESL06 |

HW ACHEON
VT950/1150 - HI-TECH 750 - HI-TECH 850

MODULO MOTORIZZATO ORIENTABILE +/-90°
+/-90° adjustable angle driven tool
Angetriebenes Werkzeug schwenkbar +/-90°

Subject to change without notice.



M.T. srl
Via Casino Albini 480
Tel. 0541/956034-957884
Fax 0541/956341
47842 S. GIOVANNI IN M. (RN)
e-mail: mtma@mtmarchetti.com
http://www.mtmarchetti.com



PAGINA HWC339-4-00