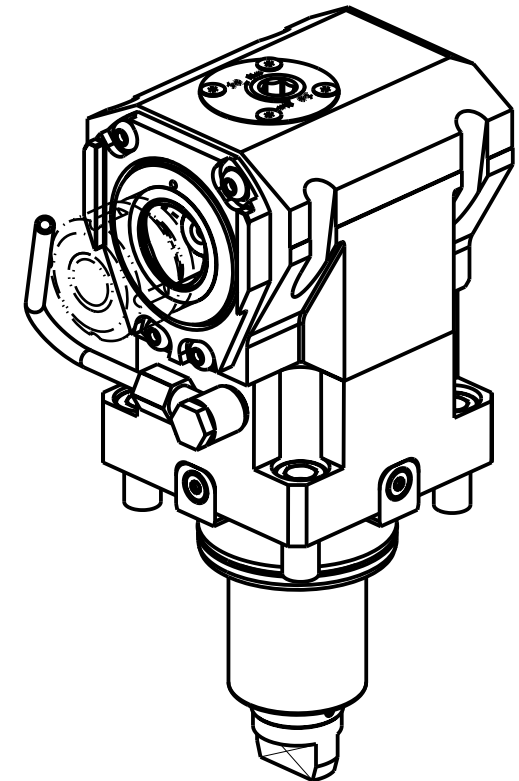
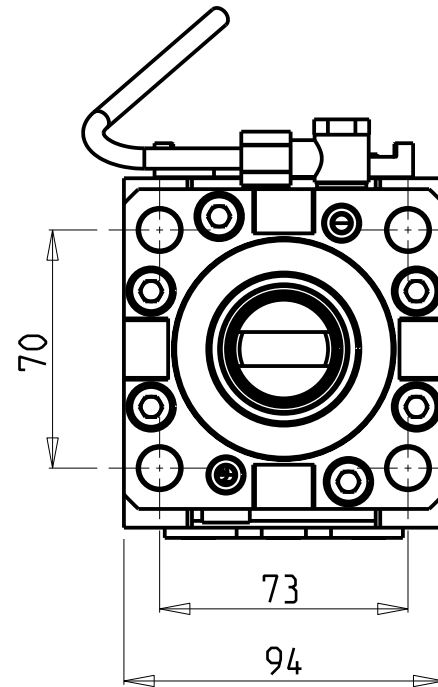
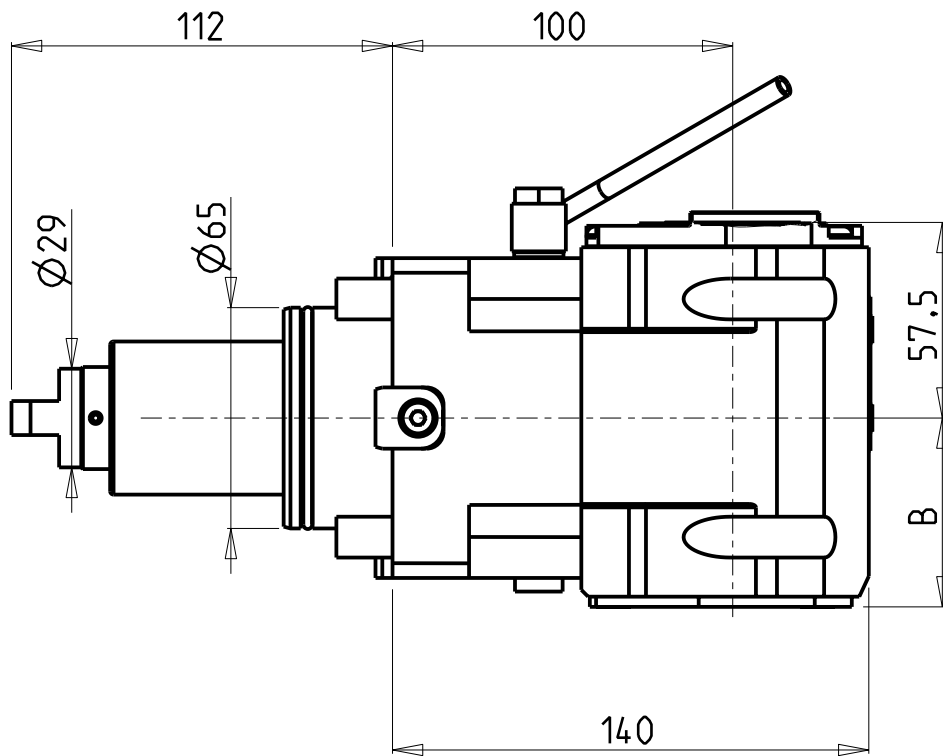


**ATTENZIONE - ATTENTION - ACHTUNG**

- VERIFICARE LE MISURE DI INGOMBRO PER POSSIBILE INTERFERENZA SU ALCUNI MODELLI DI MACCHINE
- Please check the overall sizes for possible interferences on some machine models
- Bitte überprüfen sie das ausmass um mögliche interferenzen auf einigen maschinen modellen zu vermeiden

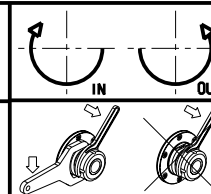


| Cod. MT    | TAGLIA<br>Size<br>Masse | I   | RPM  | Coppia Max<br>Max Torque<br>Max Drehmoment | Reversibile lato<br>mandrino/contromandrino<br>Reversible sub/main<br>spindle side<br>Umkehrbare Spindel-seite/<br>Gegenspindel-seite | Lubr.interna<br>Coolant through<br>Innenkuehlung | Lubr.esterna<br>Ext. coolant<br>Aussenkuehlung | B    |
|------------|-------------------------|-----|------|--|---|--|--|------|
| DW03130140 | C4                      | 1:1 | 6000 | 100Nm                                      | X   | -  | X  | 55.5 |
| DW03130240 | C4                      | 1:1 | 6000 | 100Nm                                      | X   | P=70bar  | X  | 66.5 |

**HW ACHEON**  
T2 - CUTEX 240

MODULO MOTORIZZATO ASSIALE MT CAPTO H=100mm  
Axial driven tool MT CAPTO H=100mm  
Axial angetriebenes Werkzeug MT CAPTO H=100mm

Subject to change without notice.



**M.T. srl**  
Via Casino Albini 480  
Tel. 0541/956034-957884  
Fax 0541/956341  
47842 S. GIOVANNI IN M. (RN)  
e-mail: mtma@tmarchetti.com  
http://www.tmmarchetti.com



PAGINA HWC150-B-43