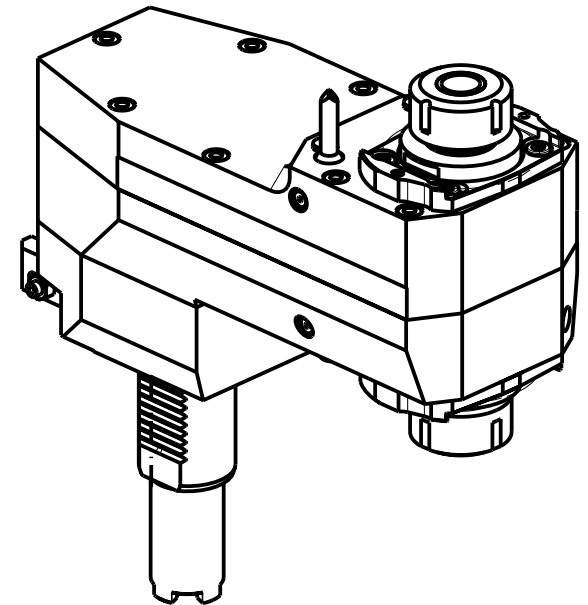
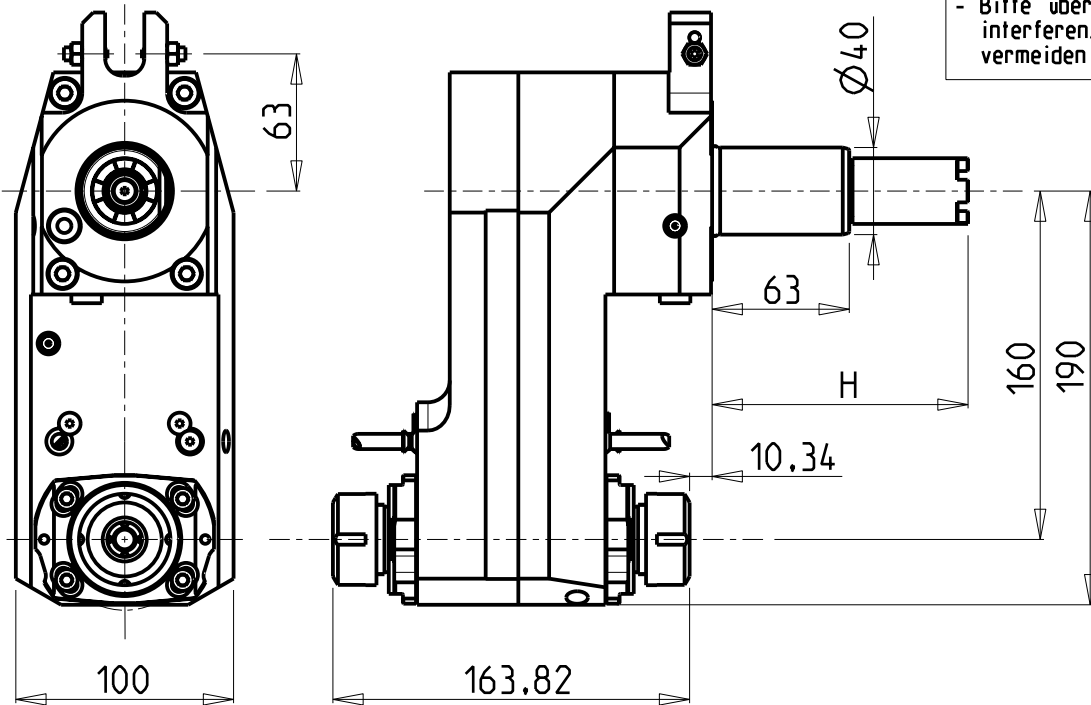


ATTENZIONE - ATTENTION - ACHTUNG

- VERIFICARE LE MISURE DI INGOMBRO PER POSSIBILE INTERFERENZA SU ALCUNI MODELLI DI MACCHINE
- Please check the overall sizes for possible interferences on some machine models
- Bitte überprüfen sie das ausmass um mögliche interferenzen auf einigen maschinen modellen zu vermeiden

ATTENZIONE - ATTENTION - ACHTUNG

- Per lo smontaggio degli utensili utilizzare sempre la chiave di contrasto come indicato nel manuale d'uso.
- For disassembly of the tools use always the contrast key as mentioned in the user instructions.
- Fuer das Abmontieren der Werkzeuge immer den Gegenschlüssel benutzen wie in der Bedienungsanleitung erwaeht.

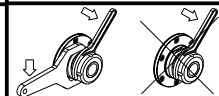


| Cod. MT | Mandrino Spindle Spindel | I | RPM | Coppia Max Max Torque Max Drehmoment | Lubrificazione est. Ext. coolant Aussenkuehlung | H | Tipo Torretta Turret type Revolver typ | CHIAVI NON INCLUSE Keys not included Schlüssel nicht einbegriffen | |
|------------|--------------------------|-----|------|--------------------------------------|---|--------|--|---|----------|
| HAS0230225 | ER25+ER25 | 1:1 | 6000 | 70Nm | X | 117.55 | VDI STANDARD / HYBRID TURRET | OKU0650004 | CHSTER25 |

- Chiave inclusa
- Key included
- Schlüssel inbegriffen

HAAS
MOD: DS30 - TL15/25

MODULO MOTORIZZATO ASSIALE BISPORGENTE DISASSATO 160mm VDI40
Axial rear-set opposite face twin driven tool re-directed by 160mm VDI40
Axial angetriebenes Werkzeug halb vospringend achsversetzt um 160mm VDI40



M.T. srl
Via Casino Albini 480
Tel. 0541/956034-957884
Fax 0541/956341
47842 S. GIOVANNI IN M. (RN)
e-mail: mtma@mtmarchetti.com
http://www.mtmarchetti.com



PAGINA HAS243-3-10

Subject to change without notice.

09/2023