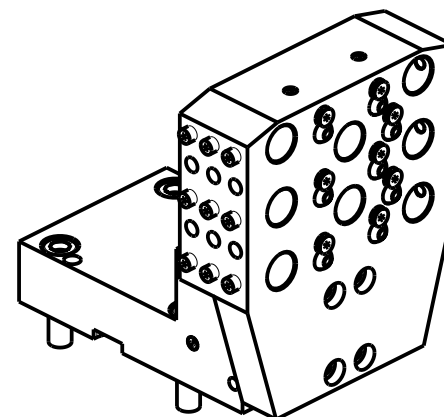


DOTAZIONI - SUPPLIED WITH - AUSSTATTUNG

mm	N°5 Boccole - Bushings - Buchsen \varnothing 16-12-10-8-6 N°1 ER16 Portapinza - Collet holder - Zangenhalter N°1 ER25 Portapinza - Collet holder - Zangenhalter
inch	N°3 Boccole - Bushings - Buchsen \varnothing 1/2"-3/8"-1/4" N°1 ER16 Portapinza - Collet holder - Zangenhalter N°1 ER25 Portapinza - Collet holder - Zangenhalter



Cod. MT	N°Utensili N°Tools N°Werkzeuge	Reversibile lato mandrino/contromandrino Reversible sub/main spindle side Umkehrbare Spindel-seite/ Gegenspindel-seite	Lubrificazione est. Ext. coolant Aussenkuehlung	Misure Dimensions Masse	D	B	H
GDW 0342000	8	X	X	mm	20	16	50
GDW 0341905	8	X	X	Inch	3/4"	5/8"	2"

GOODWAY

MOD: GS2000/2600/2800/3000/3300/3600/4000 12ST.

PORTAUTENSILE ASSIALE PER BARENO 8 POSIZIONI \varnothing 20mm / \varnothing 3/4"

Axial 8 position boring bar holder \varnothing 20mm / \varnothing 3/4"

Axial Bohrhälter 8 Positionen \varnothing 20mm / \varnothing 3/4"

Subject to change without notice.

M.T. srl

Via Casino Albini 480

Tel. 0541/956034-957884

Fax 0541/956341

47842 S. GIOVANNI IN M. (RN)

e-mail: mtma@mtmarchetti.com

http://www.mtmarchetti.com



PAGINA GDW 933-1-00

09/2023