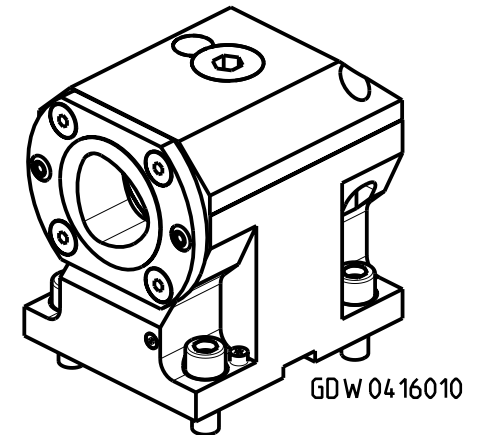


**PER ORDINARE LA VERSIONE SX
AGGIUNGERE "LC" AL CODICE IN TABELLA.
ES: MNL0464010 DIVENTA MNL0464010LC**

**TO ORDER LEFT VERSION
ADD A "LC" IN THE CODE-CHARTS.
EXAMPLE: MNL0464010 BECOMES MNL0464010LC**

**UM DIE LINKE-VERSION ZU BESTELLEN, BEI DER
ARTIKELBEZEICHNUNG "LC" HINZUFUEGEN.
BEISPIEL: MNL0464010 WIRD DANN MNL0464010LC**



GDW 04 14 010

GDW 04 15 010

GDW 04 16 010

| Cod. MT | N°Utensili N°Tools N°Werkzeuge | Lubrificazione int. Coolant through Innenkuehlung | Lubrificazione est. Ext. coolant Aussenkuehlung | Reversibile lato mandrino/contromandrino Reversible sub/main spindle side Umkehrbare Spindelseite/ Gegenspindelseite | TAGLIA Size Masse | L1 | L2 | L3 |
|---------------|--------------------------------------|---|---|---|-------------------------|-----|-----|-----|
| GDW 04 14 010 | 1 | X | - | X | C4 | 114 | 68 | 90 |
| GDW 04 15 010 | 1 | X | X | X | C5 | 122 | 83 | 90 |
| GDW 04 15 015 | 1 | X | - | X | C5 | 152 | 83 | 120 |
| GDW 04 16 010 | 1 | X | - | X | C6 | 132 | 108 | 90 |

GOODWAY

MOD: GS2000/2600/2800/3000/3300/3600/4000 12ST. - GMS2000 12ST.

PORTAUTENSILE ASSIALE SINGOLO MT CAPTO

Axial single static tool MT CAPTO

Axial Single-Werkzeughalter MT CAPTO

Subject to change without notice.

M.T. srl

Via Casino Albini 480
Tel. 0541/956034-957884
Fax 0541/956341
47842 S. GIOVANNI IN M. (RN)
e-mail: mtma@mtmarchetti.com
http://www.mtmarchetti.com



PAGINA GDW550-A-40