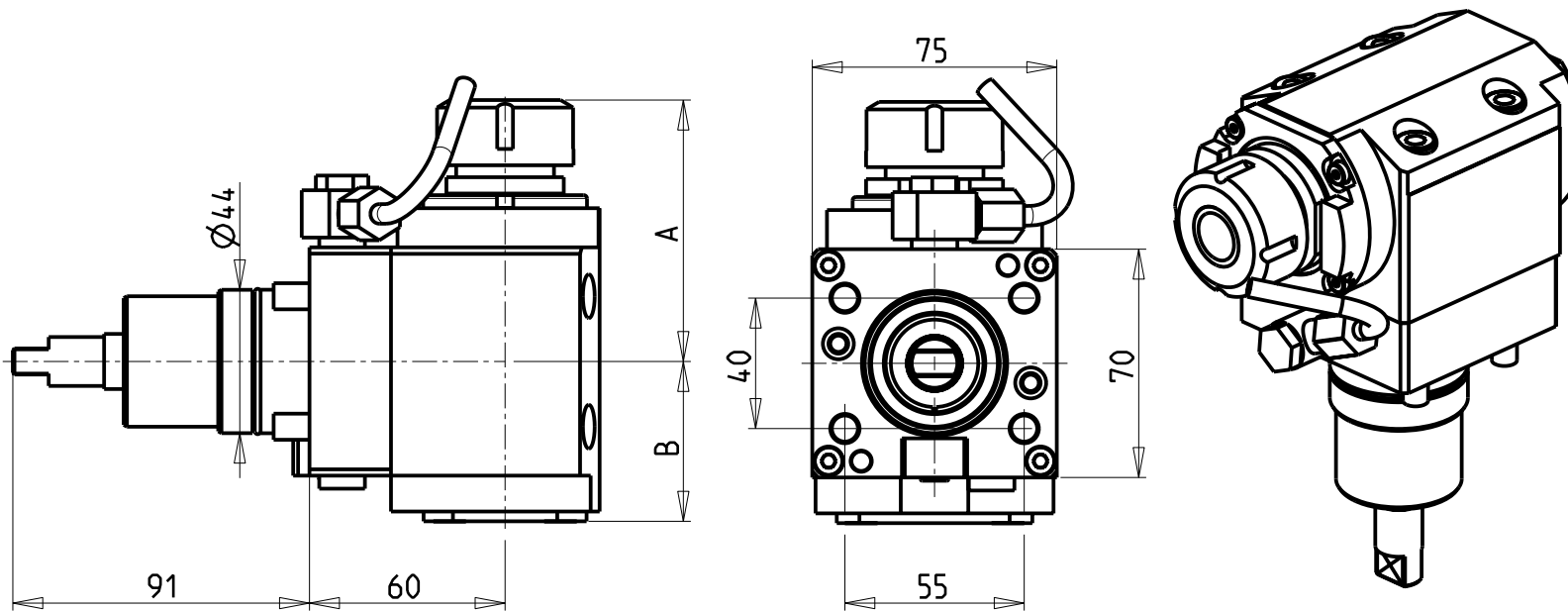


**ATTENZIONE - ATTENTION - ACHTUNG**

- Per lo smontaggio degli utensili utilizzare sempre la chiave di contrasto come indicato nel manuale d'uso.
- For disassembly of the tools use always the contrast key as mentioned in the user instructions.
- Fuer das Abmontieren der Werkzeuge immer den Gegenschlüssel benutzen wie in der Bedienungsanleitung erwaeht.



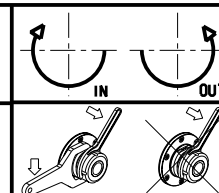
| Cod. MT    | Mandrino Spindle Spindel | I   | RPM  | Coppia Max Max Torque Max Drehmoment | Reversibile lato mandrino/contromandrino Reversible sub/main spindle side Umkehrbare Spindel-seite/ Gegenspindel-seite | Lubr. interna Coolant through Innenkuehlung | Lubr. esterna Ext. coolant Aussenkuehlung | A     | B  | CHIAVI NON INCLUDE Keys not included Schluessel nicht einbegriffen |
|------------|--------------------------|-----|------|--------------------------------------|--|---|---|-------|----|--|
| NKM1680125 | ER25                     | 1:1 | 8000 | 35Nm                                 | X  | -   | X   | 82.16 | 49 | OKU0290009 ▪ CHSTER25  |
| NKM1680225 | ER25                     | 1:1 | 8000 | 35Nm                                 | X  | P=70bar                                     | X   | 82.16 | 59 | OKU0290009 ▪ CHSTER25  |
| NKM1680520 | ERA20                    | 1:1 | 8000 | 35Nm                                 | X  | -   | X   | 69.23 | 49 | OKU0290009 ▪ CHUB22  |
| NKM1680620 | ERA20                    | 1:1 | 8000 | 35Nm                                 | X  | P=70bar                                     | X   | 69.23 | 59 | OKU0290009 ▪ CHUB22  |

- Chiave inclusa
- Key included
- Schluessel inbegriffen

**GOODWAY**  
MOD: GTZ-1500

MODULO MOTORIZZATO ASSIALE 8000 RPM H=60mm  
Axial driven tool 8000 rpm H=60mm  
Axial angetriebenes Werkzeug 8000 rpm H=60mm

Subject to change without notice.



**M.T. srl**  
Via Casino Albini 480  
Tel. 0541/956034-957884  
Fax 0541/956341  
47842 S. GIOVANNI IN M. (RN)  
e-mail: mtma@mtmarchetti.com  
http://www.mtmarchetti.com



PAGINA GDW 150-6-11