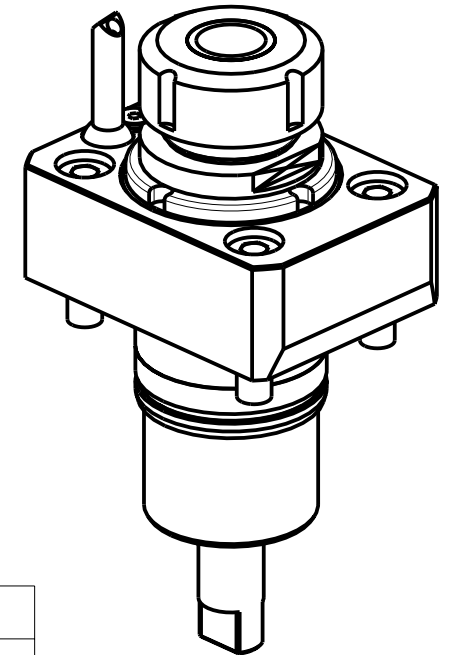
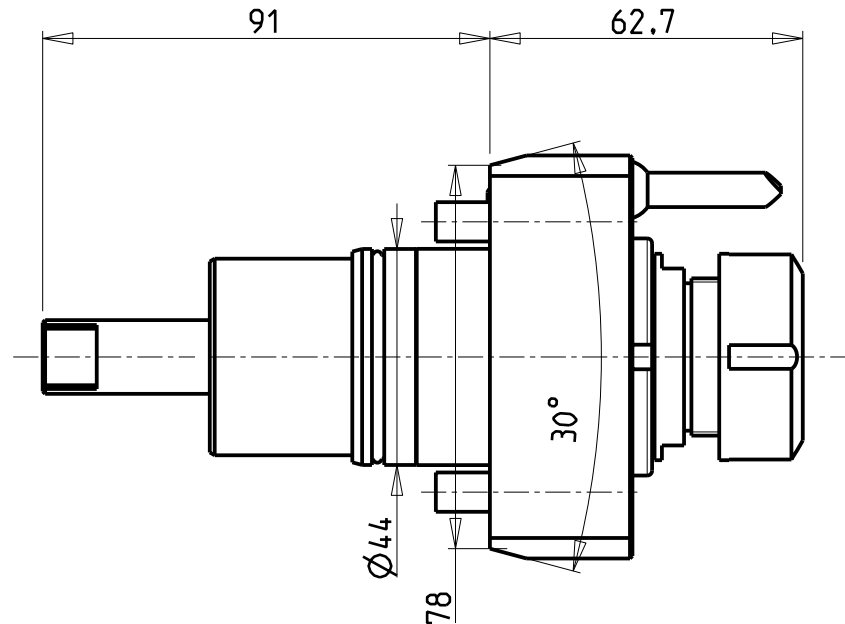
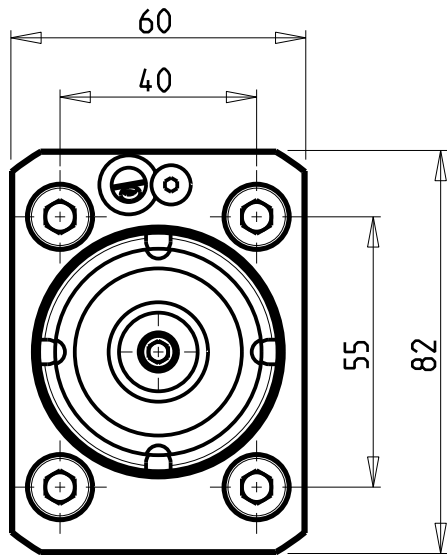


## CUSCINETTI MAGGIORATI PER LAVORAZIONI PESANTI

Reinforced bearings for  
heavy machining

Vergroesserte Lager fuer  
schwerere Bearbeitungen



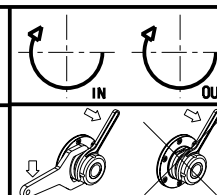
- Chiave inclusa
- Key included
- Schluessel inbegriffen

Cod. MT	Mandrino Spindle Spindel	I	RPM	Coppia Max Max Torque Max Drehmoment	Lubrificazione est. Ext. coolant Aussenkuehlung	CHIAVI NON INCLUSE Keys not included Schluessel nicht einbegriffen	
NKM1810125	ER25	1:1	8000	35Nm	X	OKU0290009 ▪	CHSTER25

GOODWAY  
MOD: GTZ-1500

MODULO MOTORIZZATO RADIALE MAGGIORATO 8000 RPM  
Radial reinforced driven tool 8000 rpm  
Radial angetriebenes Werkzeug vergroessert 8000 rpm

Subject to change without notice.



**M.T. srl**  
Via Casino Albini 480  
Tel. 0541/956034-957884  
Fax 0541/956341  
47842 S. GIOVANNI IN M. (RN)  
e-mail: mtma@mtmarchetti.com  
http://www.mtmarchetti.com



PAGINA GDW020-6-01