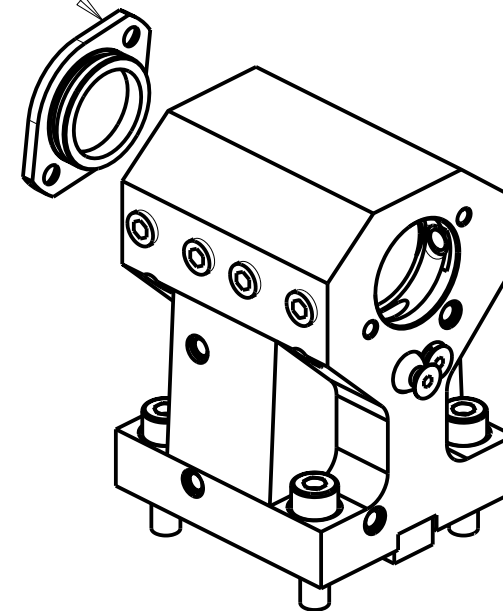


KIT ADDUZIONE INTERNA (OPZIONALE)  
 KIT FOR INTERNAL COOLANT (OPTIONAL)  
 KIT FUER INTERNE KUEHLMITTELZUFUHR (OPTIONAL)  
 Ø32 - Ø1 1/4" cod. KIT1000001



Cod. MT	Reversibile lato mandrino/controlmandrino Reversible sub/main spindle side Umkehrbare Spindel-seite/ Gegenspindel-seite	Lubrificazione int. opzionale Coolant through optional Innenkuehlung Optional	Lubrificazione est. Ext. coolant Aussenkuehlung	Misure Dimensions Masse	D
DW02273200	X	X	X	mm	32
DW02273175	X	X	X	Inch	1 1/4"

PER BOCCOLE DI RIDUZIONE VEDI PAG. TBL150-1-00  
 FOR REDUCING BUSHINGS SEE PAGE TBL150-1-00  
 FÜR REDUZIERBUCHSE SIEHE SEITE TBL150-1-00

EMCO

MOD: HYPERTURN 45 (BMT45)

PORTAUTENSILE ASSIALE PER BARENO Ø32mm / Ø1 1/4" H=85mm

Axial single boring bar holder Ø32mm / Ø1 1/4" H=85mm

Axial Bohrhälter Ø32mm / Ø1 1/4" H=85mm

Subject to change without notice.

**M.T. srl**

Via Casino Albini 480

Tel. 0541/956034-957884

Fax 0541/956341

47842 S. GIOVANNI IN M. (RN)

e-mail: mtma@mtmarchetti.com

http://www.mtmarchetti.com



PAGINA EMC660-1-10

09/2023