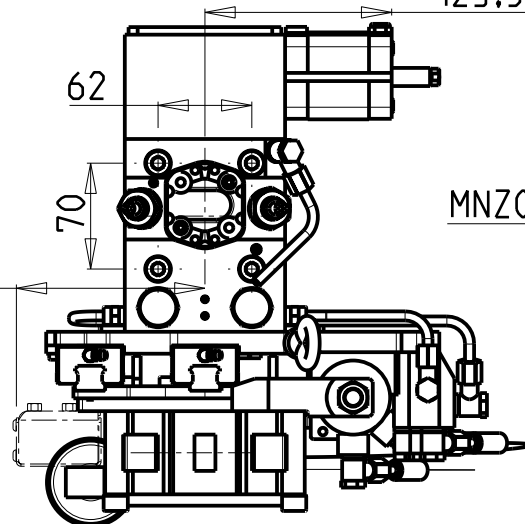


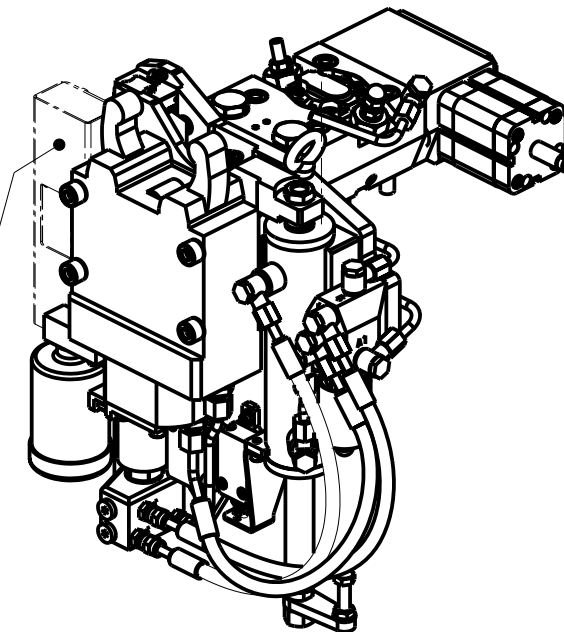
- # CON GESTIONE ELETTRONICA APERTURA COMPLETA DELLA LUNETTA
- # With Electronic control of steady rest arms complete opening
- # Mit vollständiger elektronischer Öffnungsbedienung der Luenette

Cod. MT	I	RPM	Lubr. esterna Ext. coolant Aussenkuehlung
MNZ0310300	1:1	6000	X
# MNZ0310300EU	1:1	6000	X
# MNZ0310300US	1:1	6000	X
# MNZ0310300JP	1:1	6000	X

EUROPE - AFRICA -  
MIDDLE EAST - NORTH ASIA  
USA - CANADA - MEXICO -  
AUSTRALIA - SOUTH ASIA  
JAPAN



Only for  
MNZ0310300JP



DMG-MORI  
NZ1500/2000 - NZX1500/2000

MODULO MOTORIZZATO PER LUNETTA RETRATTILE (TAGLIA 1)  
Driven toolholder for sliding steady rest (Size 1)  
Luenettenwerkzeug zurueck versetzte Version (Grossse 1)

Subject to change without notice.

**M.T. srl**

Via Casino Albini 480  
Tel. 0541/956034-957884  
Fax 0541/956341  
47842 S. GIOVANNI IN M. (RN)  
e-mail: mtma@mtmarchetti.com  
http://www.mtmarchetti.com



PAGINA MNZ363-1-00

09/2023