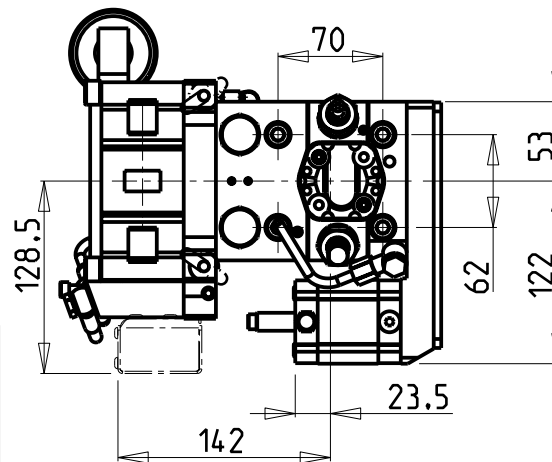


Only for  
MNZ0310150JP



(( ))	#	CON GESTIONE ELETTRONICA APERTURA COMPLETA DELLA LUNETTA
	#	With Electronic control of steady rest arms complete opening
	#	Mit vollstaendiger elektronischer Oeffnungsbedienug der Luenette

Cod. MT	I	RPM	Lubr. esterna Ext. coolant Aussenkuehlung	
MNZ0310150	1:1	6000	X	
# MNZ0310150EU	1:1	6000	X	EUROPE - AFRICA - MIDDLE EAST - NORTH ASIA
# MNZ0310150US	1:1	6000	X	USA - CANADA - MEXICO - AUSTRALIA - SOUTH ASIA
# MNZ0310150JP	1:1	6000	X	JAPAN

DMG-MORI  
NZ1500/2000 - NZX1500/2000 - NT3100/3150/3200 - NT1000/2000 - NTX1000/2000

MODULO MOTORIZZATO PER LUNETTA (TAGLIA 1)  
Steady rest driven tool (Size 1)  
Angetriebenes werkzeug fuer Luenette (Grosses 1)

Subject to change without notice.

**M.T. srl**  
Via Casino Albini 480  
Tel. 0541/956034-957884  
Fax 0541/956341  
47842 S. GIOVANNI IN M. (RN)  
e-mail: mtma@tmarchetti.com  
http://www.tmmarchetti.com



PAGINA MNZ361-1-10