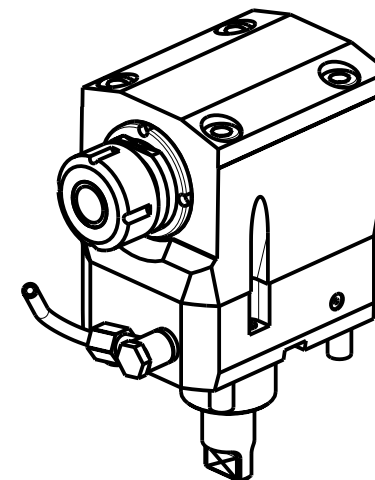


ATTENZIONE - ATTENTION - ACHTUNG

- Per lo smontaggio degli utensili utilizzare sempre la chiave di contrasto come indicato nel manuale d'uso.
- For disassembly of the tools use always the contrast key as mentioned in the user instructions.
- Fuer das Abmontieren der Werkzeuge immer den Gegenschlüssel benutzen wie in der Bedienungsanleitung erwaeht.



Cod. MT	Mandrino Spindle Spindel	I	RPM	Coppia Max Max Torque Max Drehmoment	Reversibile lato mandrino/contromandrino Reversible sub/main spindle side Umkehrbare Spindel-seite/ Gegenspindel-seite	Lubr.esterna Ext. coolant Aussenkuehlung	A	A1	CHIAVI NON INCLUSE Keys not included Schlüssel nicht einbegriffen	
									CHUB36	CHSTER25
MNZ0239125	ER25	1:1	6000	40Nm	X	X	82.36	-	CHUB36	CHSTER25
MNZ0239108	WELDON 8	1:1	6000	40Nm	X	X	-	76.5	-	-
MNZ0239110	WELDON 10	1:1	6000	40Nm	X	X	-	76.5	-	-
MNZ0239112	WELDON 12	1:1	6000	40Nm	X	X	-	76.5	-	-
MNZ0239116	WELDON 16	1:1	6000	40Nm	X	X	-	73.5	-	-

DMG-MORI

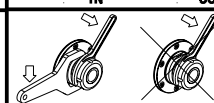
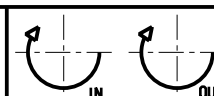
NZ1500/2000 - NZX1500/2000 - NZX2500 (BHT40) - NT3100/3150/3200 - NL1500/2000/2500 20 STAZ. - NLX1500/2000/2500 20 STAZ. - NT1000/2000 - NTX500 (BHT40)
NTX1000/2000 - NTX1000/2000/2500/3000 2ND GEN. 12ST. - DURATURN 2050MC/2550MC - NRX2000 - ALX1500/2000/2500 - ECOTURN 450 (BHT40) - NZ DUE/TRE/QUATTRO (BHT40)

MODULO MOTORIZZATO ASSIALE PER POLIGONATURA INTERNA H=85mm

Axial driven tool for internal polygon-making H=85mm

Axial angetriebenes Werkzeug fuer interne Facettierung H=85 mm

Subject to change without notice.



M.T. srl

Via Casino Albini 480

Tel. 0541/956034-957884

Fax 0541/956341

47842 S. GIOVANNI IN M. (RN)

e-mail: mtma@mtmarchetti.com

http://www.mtmarchetti.com



PAGINA MNZ230-1-10