

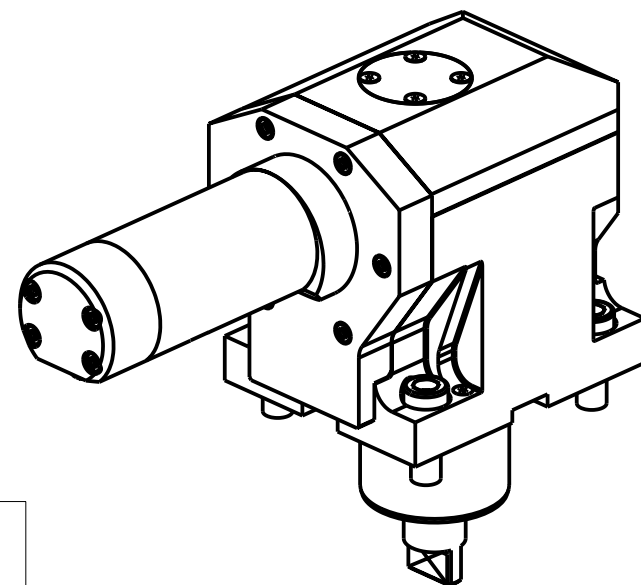
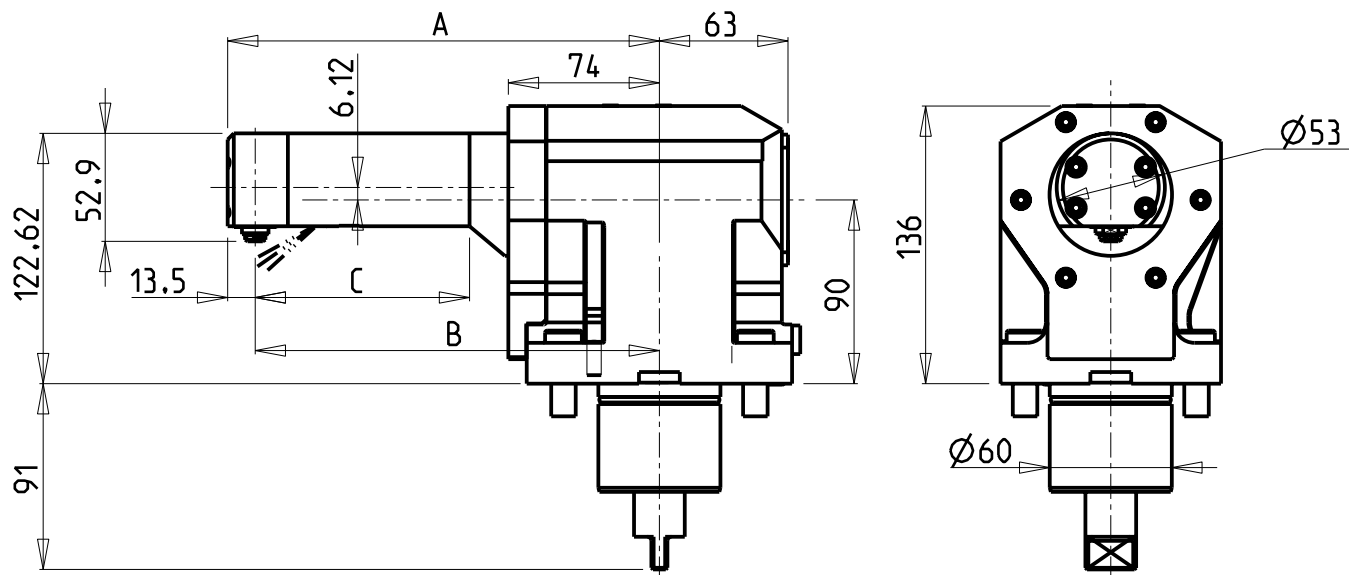
PER LAVORAZIONI INTERNE  
SU FORI Ø60 MINIMO

For machining internal  
holes with Ø60 min. hole

Fuer interne Bearbeitungen  
am Loch minimum Ø60

**ATTENZIONE - ATTENTION - ACHTUNG**

- Per lo smontaggio degli utensili utilizzare sempre la chiave di contrasto come indicato nel manuale d'uso.
- For disassembly of the tools use always the contrast key as mentioned in the user instructions.
- Fuer das Abmontieren der Werkzeuge immer den Gegenschlüssel benutzen wie in der Bedienungsanleitung erwaeht.

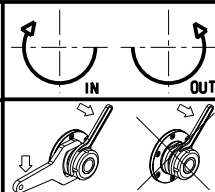


Cod. MT	Mandrino Spindle Spindel	I	RPM	Coppia Max Max Torque Max Drehmoment	Lubrificazione est. Ext. coolant Aussenkuehlung	A	B	C	CHIAVI INCLUSE Keys included Schluessel einbegriffen	
MNL0961055	CHG	1:1	6000	8Nm	X	161.5	148	55	CHUB13_SP3	CHCHG10
MNL0961105	CHG	1:1	6000	8Nm	X	211.5	198	105	CHUB13_SP3	CHCHG10
MNL0961155	CHG	1:1	6000	8Nm	X	261.5	248	155	CHUB13_SP3	CHCHG10

DMG-MORI  
 NL1500/2000/2500/3000 12 STAZIONI - NLX1500/2000/2500/3000 12 STAZIONI - NLX4000 - NZL2000/2500 - NZX2500 (BMT60)  
 NT4200/4250/4300/5400 - NTX2000/2500/3000 2ND GEN. 10ST. - CTX2500 (BMT60)

MODULO MOTORIZZATO RADIALE ROVESCiato DISASSATO IN Z  
 Radial inverted driven tool re-directed in Z  
 Radial angetriebenes Werkzeug umgedreht achsversetzt in Z

Subject to change without notice.



**M.T. srl**  
 Via Casino Albini 480  
 Tel. 0541/956034-957884  
 Fax 0541/956341  
 47842 S. GIOVANNI IN M. (RN)  
 e-mail: mtma@mtmarchetti.com  
 http://www.mtmarchetti.com



PAGINA MNL120-1-30