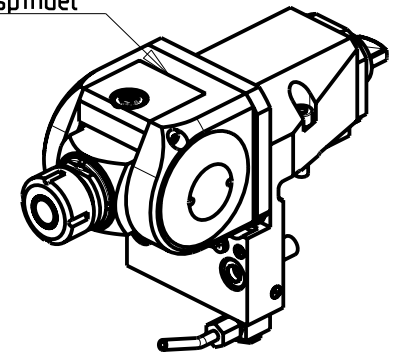


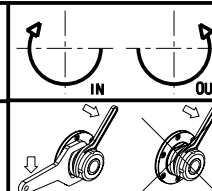
SU ORDINAZIONE PER CONTROMANDRINO
On request for subspindle
Auf Anfrage fuer Gegenspindel



| Cod. MT | Mandrino Spindel Spindel | I | RPM | Coppia Max Max Torque Max Drehmoment | Lubrificazione int. Coolant through Innenkuehlung | Lubrificazione est. Ext. coolant Aussenkuehlung | A | A1 | D | L | CHIAVI INCLUDE Keys included Schluessel inbegriffen | |
|----------|--------------------------|-----|------|--------------------------------------|---|---|-------|----|------|------|---|----------------|
| M0060020 | ER20 | 1:1 | 6000 | 40Nm | | X | 84.16 | - | - | - | CHUB36 | CHSTER20 |
| M0060025 | ER25 | 1:1 | 6000 | 40Nm | | X | 85.66 | - | - | - | CHUB36 | CHSTER25 |
| M0061617 | Ø16x17 | 1:1 | 6000 | 40Nm | | X | - | 65 | 16 | 17 | CHUB36 | CH_VTCROCE_M08 |
| M0062219 | Ø22x19 | 1:1 | 6000 | 40Nm | | X | - | 66 | 22 | 19 | CHUB36 | CH_VTCROCE_M10 |
| M0061905 | Ø3/4"x3/4" | 1:1 | 6000 | 40Nm | | X | - | 65 | 3/4" | 3/4" | CHUB36 | CH_VTCROCE_M08 |

CMZ
MOD: TL25AM/AMS/BM/BMS - TL20M/MS/TM
TC15M/Y/MS/MY - TC20M/Y/MS/MY - TC25M/Y/MS/MY - TC35M/Y/MS/MY

MODULO MOTORIZZATO ORIENTABILE 0-90°
0-90° adjustable angle driven tool
Angetriebenes Werkzeug schwenkbar 0-90°



M.T. srl
Via Casino Albini 480
Tel. 0541/956034-957884
Fax 0541/956341
47842 S. GIOVANNI IN M. (RN)
e-mail: mtma@mtmarchetti.com
http://www.mtmarchetti.com

PRODUZIONE MODULI ROTANTI



PAGINA CMZ330-2-00