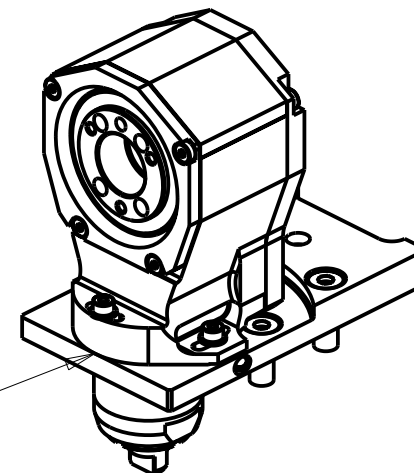
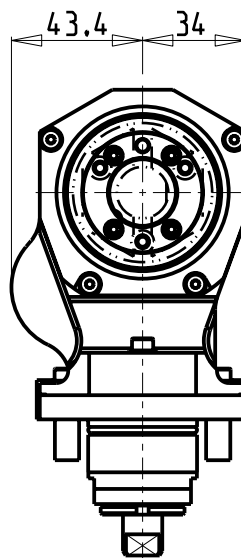
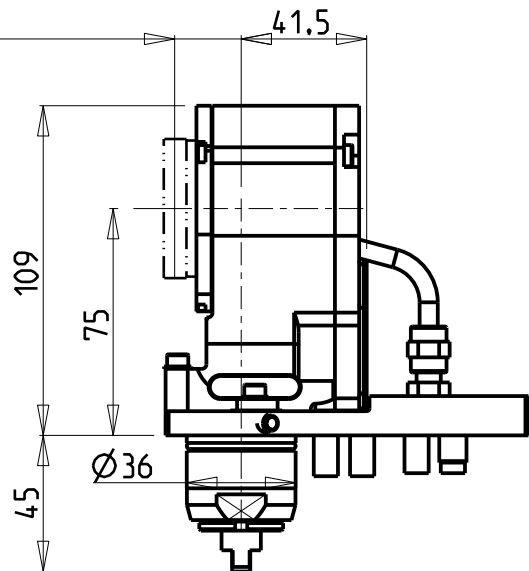
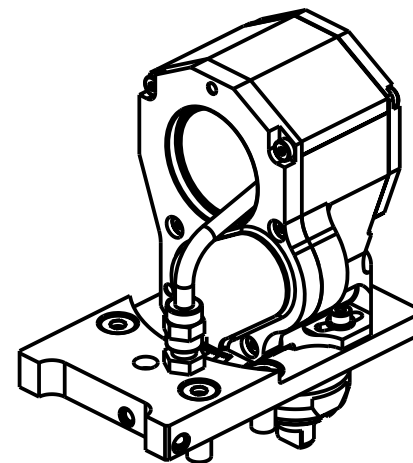


Piano Inserti
Inserts Surface
Einsätze Fläche



INCLINAZIONE
REGOLABILE $\pm 15^\circ$

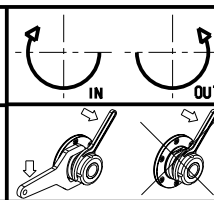


| Cod. MT | I | RPM | Lubrificazione est. Ext. coolant Aussenkuehlung | A | Fresa non inclusa: Milling-cutter not included: Fraese nicht inbegriffen: |
|------------|-----|------|---|------|---|
| CTZ0110112 | 2:1 | 3000 | X | 22 | SANDVIK Coromill 325 cod. 325-12AP40-16M |
| CTZ0111112 | 2:1 | 3000 | X | 21.5 | UTILIS MWA402657025 |

CITIZEN
MOD: M532

MODULO MOTORIZZATO TURBINATORE RIDOTTO I=2:1
Driven whirling tool geared-down I=2:1
Gewindewirbeleinrichtung untersetzt I=2:1

Subject to change without notice.



M.T. srl
Via Casino Albini 480
Tel. 0541/956034-957884
Fax 0541/956341
47842 S. GIOVANNI IN M. (RN)
e-mail: mtma@mtmarchetti.com
http://www.mtmarchetti.com



PAGINA CTZ370-2-00

09/2023