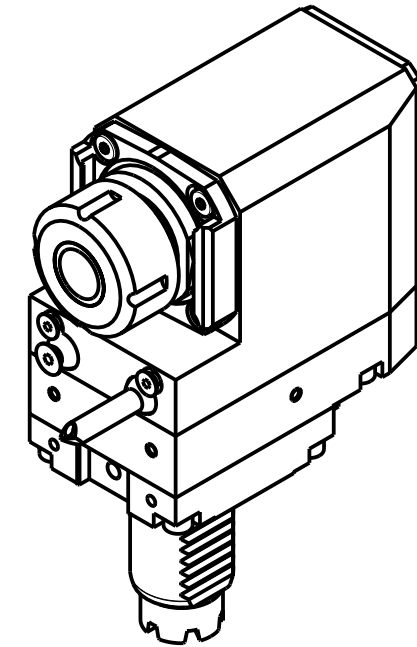
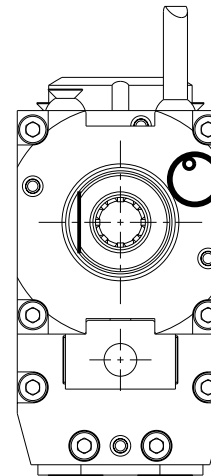
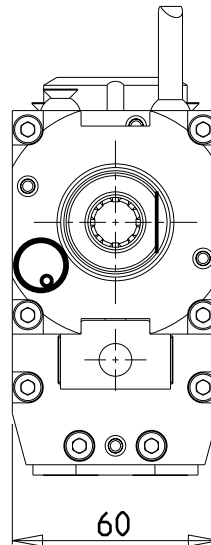


versione dx  
right version  
version rechts

versione sx  
left version  
version links



• Chiave inclusa

• Key included

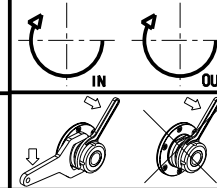
• Schlüssel inbegriffen

Cod. MT		Mandrino Spindle Spindel	I	RPM	Coppia Max Max Torque Max Drehmoment	Lubrificazione int. Coolant through Innenkuehlung	Lubrificazione est. Ext. coolant Aussenkuehlung	A1	A2	B	CHIAVI NON INCLUDE Keys not included Schlüssel nicht einbegriffen	
versione dx right version version rechts	versione sx left version version links											
BAR0070120	BAR0071120	ER20	1:1	6000	32Nm		X	41.16	73.5	-	CHSTER20	OKU0290009
BAR0070320	BAR0071320	ERA20	1:1	6000	32Nm		X	24.5	73.5	CHUB22	CHTAER20ZC	OKU0290009
BAR0070420	BAR0071420	ERA20	1:1	6000	32Nm	P=70bar	X	24.5	83.5	CHUB22	CHTAER20ZC	OKU0290009
BAR0070125	BAR0071125	ER25	1:1	6000	32Nm		X	42.16	73.5	-	CHSTER25	OKU0290009
BAR0070225	BAR0071225	ER25	1:1	6000	32Nm	P=70bar	X	42.16	83.5	-	CHSTER25	OKU0290009
BAR0070325	BAR0071325	ERA25	1:1	6000	32Nm		X	28.5	73.5	CHUB27	CHTAER25ZC	OKU0290009
BAR0070425	BAR0071425	ERA25	1:1	6000	32Nm	P=70bar	X	28.5	83.5	CHUB27	CHTAER25ZC	OKU0290009
BAR0070516	BAR0071516	WELDON16	1:1	6000	32Nm		X		27.5	73.5	-	-

BARUFFALDI  
VDI 30

MODULO MOTORIZZATO RADIALE ARRETRATO VDI30 H=85mm  
Radial rear-set driven tool VDI30 H=85mm  
Radial angetriebenes Werkzeug zurueckversetzt VDI30 H=85mm

Subject to change without notice.



**M.T. srl**

Via Casino Albini 480  
Tel. 0541/956034-957884  
Fax 0541/956341  
47842 S. GIOVANNI IN M. (RN)  
e-mail: mtma@mtmarchetti.com  
http://www.mtmarchetti.com

PRODUZIONE MODULI ROTANTI



PAGINA BAR015-1-70