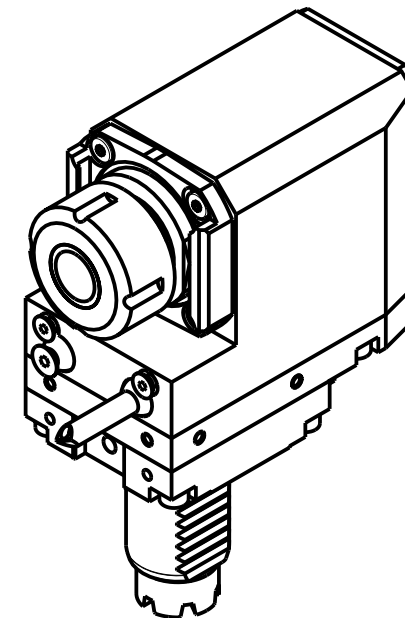
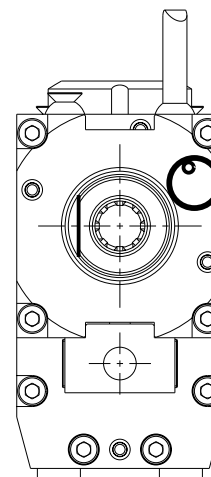
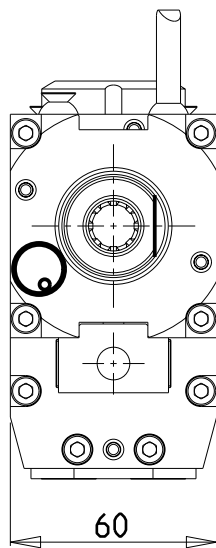


versione dx
right version
version rechts

versione sx
left version
version links

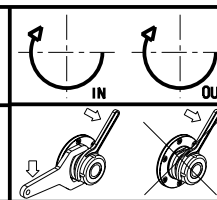


Cod. MT		Mandrino Spindle Spindel	I	RPM	Coppia Max Max Torque Max Drehmoment	Lubrificazione int. Coolant through Innenkuehlung	Lubrificazione est. Ext. coolant Aussenkuehlung	A1	A2	B	CHIAVI NON INCLUDE Keys not included Schlüssel nicht einbegriffen	
versione dx right version version rechts	versione sx left version version links											
BAR0080120	BAR0081120	ER20	1:1	6000	32Nm		X	41.16	73.5	-	CHSTER20	OKU0290009
BAR0080320	BAR0081320	ERA20	1:1	6000	32Nm		X	24.5	73.5	CHUB22	CHTAER20ZC	OKU0290009
BAR0080420	BAR0081420	ERA20	1:1	6000	32Nm	P=70bar	X	24.5	83.5	CHUB22	CHTAER20ZC	OKU0290009
BAR0080125	BAR0081125	ER25	1:1	6000	32Nm		X	42.16	73.5	-	CHSTER25	OKU0290009
BAR0080225	BAR0081225	ER25	1:1	6000	32Nm	P=70bar	X	42.16	83.5	-	CHSTER25	OKU0290009
BAR0080325	BAR0081325	ERA25	1:1	6000	32Nm		X	28.5	73.5	CHUB27	CHTAER25ZC	OKU0290009
BAR0080425	BAR0081425	ERA25	1:1	6000	32Nm	P=70bar	X	28.5	83.5	CHUB27	CHTAER25ZC	OKU0290009
BAR0080516	BAR0081516	WELDON16	1:1	6000	32Nm		X		27.5	73.5	-	-

- Chiave inclusa
- Key included
- Schlüssel inbegriffen

BARUFFALDI
VDI 30

MODULO MOTORIZZATO RADIALE ARRETRATO VDI30 H=75mm
Radial rear-set driven tool VDI30 H=75mm
Radial angetriebenes Werkzeug zurueckversetzt VDI30 H=75mm



M.T. srl
Via Casino Albini 480
Tel. 0541/956034-957884
Fax 0541/956341
47842 S. GIOVANNI IN M. (RN)
e-mail: mtma@mtmarchetti.com
http://www.mtmarchetti.com

PRODUZIONE MODULI ROTANTI



PAGINA BAR015-1-60

Subject to change without notice.

04/2021