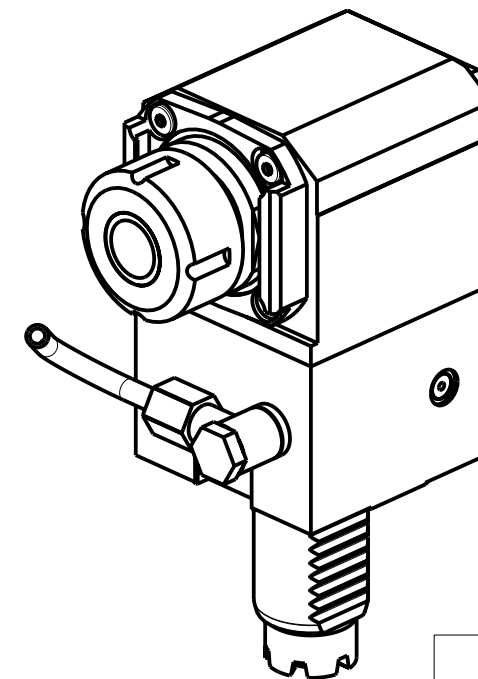
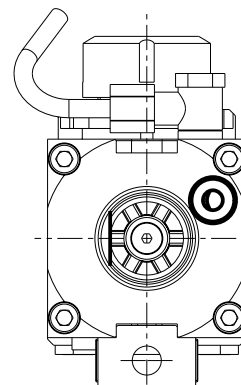
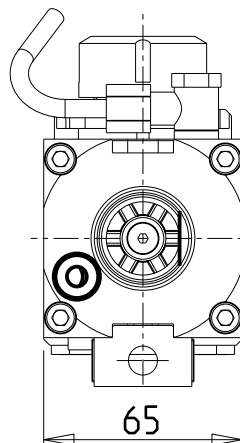


versione dx
right version
version rechts

versione sx
left version
version links

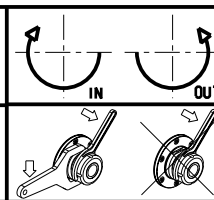


- Chiave inclusa
- Key included
- Schlüssel inbegriffen

Cod. MT		Mandrino Spindle Spindel	I	RPM	Coppia Max Max Torque Max Drehmoment	Lubrificazione int. Coolant through Innenkuehlung	Lubrificazione est. Ext. coolant Aussenkuehlung	ØD	L	A	A1	A2	B	CHIAVI NON INCLUDE Keys not included Schlüssel nicht einbegriffen	
versione dx right version version rechts	versione sx left version version links														
BAR0060125	BAR0061125	ER25	1:1	6000	32Nm	-	X	-	-	66.2	-	-	38	OKU0290009 ▪	CHSTER25
BAR0060225	BAR0061225	ER25	1:1	6000	32Nm	P=70bar	X	-	-	66.2	-	-	48	OKU0290009 ▪	CHSTER25
BAR0060316	BAR0061316	WELDON16	1:1	6000	32Nm	-	X	-	-	-	-	54.5	38	-	-
BAR0060416	BAR0061416	Ø16x17	1:1	6000	32Nm	-	X	16	17	-	45	-	38	OKU0290009 ▪	CH_VTCROCE_M08 ▪
BAR0060422	BAR0061422	Ø22x19	1:1	6000	32Nm	-	X	22	19	-	47	-	38	OKU0290009 ▪	CH_VTCROCE_M10 ▪

BARUFFALDI
VDI 30

MODULO MOTORIZZATO RADIALE VDI30
Radial driven tool VDI30
Radial angetriebenes Werkzeug VDI30



M.T. srl
Via Casino Albini 480
Tel. 0541/956034-957884
Fax 0541/956341
47842 S. GIOVANNI IN M. (RN)
e-mail: mtma@mtmarchetti.com
http://www.mtmarchetti.com

PRODUZIONE MODULI ROTANTI



PAGINA BAR015-1-00

Subject to change without notice.

04/2021